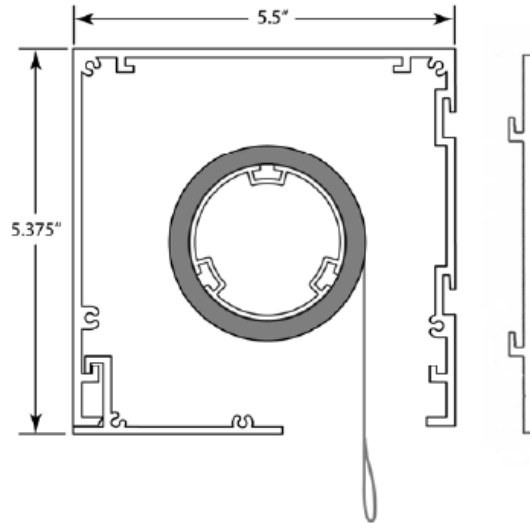


Shade Pocket (Headbox) Valance

The Shade Pocket Valance is an aluminum extrusion that covers the top, front, and back of the roller. If installed as an inside mount, one should drill through the top of the fascia into the ceiling. If installed as an outside mount, heavy-duty brackets are provided. To conceal the bottom of the roller, a 3" Bottom Closure Plate is available.

Roll: Available for regular roll & reverse roll shades
Color: White & Clear Anodized
Mount: Inside or Outside
Clutch: M16 or M24
Motor: AC or DC
Minimum Width: 18"
Maximum Width: 240"
Dimensions: 5 1/2" Deep x 5 3/8" Tall



Shade Pocket (Headbox) Valance with Ceiling Tile Receiver Lip

The Shade Pocket Valance is an aluminum extrusion that covers the top, front, and back of the roller. This extrusion is generally mounted above the ceiling and ceiling tiles rest on the receiver lip at the front edge of the extrusion. To conceal the bottom of the roller, a 3" Bottom Closure Plate is available.

Roll: Available for regular roll & reverse roll shades
Color: White & Clear Anodized
Mount: Inside or Outside
Clutch: M16 or M24
Motor: AC or DC
Minimum Width: 18"
Maximum Width: 240"
Dimensions: 5 1/2" Deep x 5 3/8" Tall

